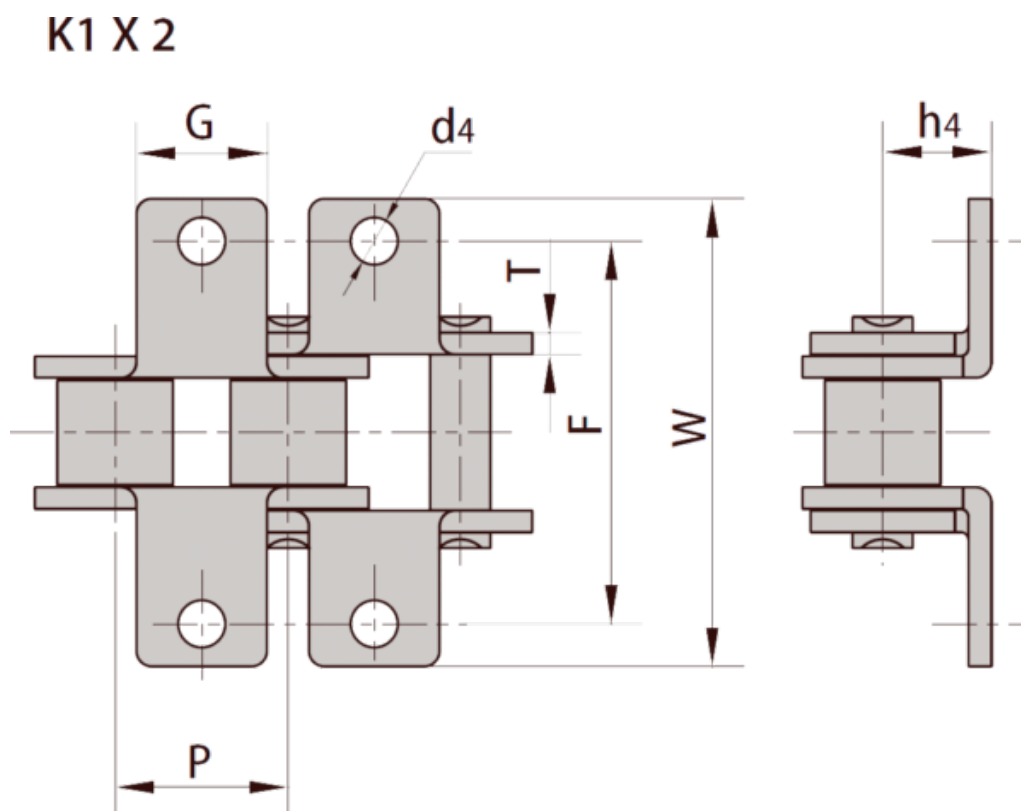


Article number: 6100110061012

Description: 10B1

K1 angled 2 sides, one hole attachment link, spring clip type

## Measures



d4 = 5.3  
F = 31.75  
G = 14.3  
h4 = 10.31  
P = 15.875  
T = 7.70  
W = 44.6